

Bushing Data:

Rated Voltage	362	kV
Phase to-earth Voltage	220	kV
Dry Lightning Impulse	1,2/50µs	1050
Wet Switching Impulse	750	kV
Wet Power frequency AC	480	kV
Routine test Imin dry 50Hz	505	kV
Rated Current	2500	A
Creepage Distance	7205	mm
Mass	730	kg

Ordering Data:

BUSHING	COLOUR AIR INSULATOR	
LF121063 -C / -AC	BROWN / LIGHT GREY	
OUTER TERMINAL	H2 (mm)	D2 (mm)
LF170 073-A Al	125	60
LF170 073-B Cu	125	60
LF170 073-G Cu/Ag	125	60
OTHER TYPES ON REQUEST		

END-SHIELD

LF170 046-U	EPOXY INSULATED
LF170 046-UP	INSULATED WITH 3 mm PRESSBOARD

DRAW ROD SYSTEM

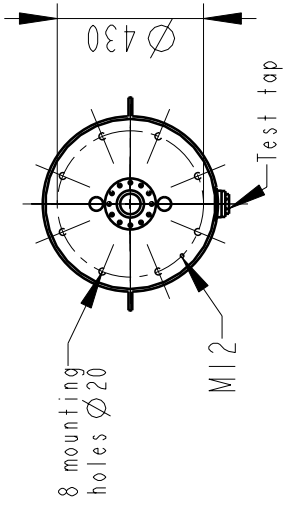
LF170 059	LOWER DRAW ROD WITH NI=4 OR NI=6
LF170 057	UPPER DRAW ROD

INNER TERMINAL

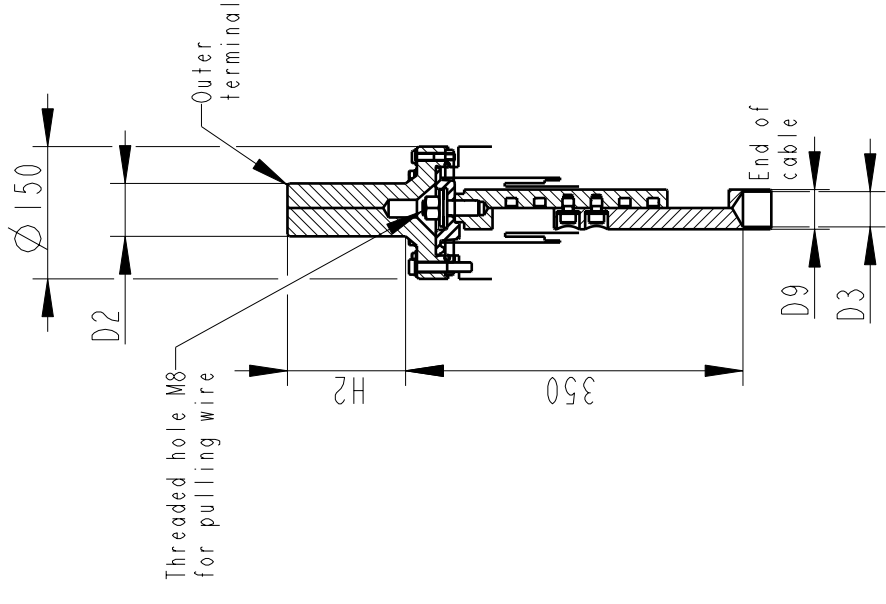
D3 (mm)	D9 (mm)	Cond.area (mm ²)	Current (A)	IEEC
LF170 056-E O*)	45	-	-	-
LF170 056-D	40	45	600	1600
				1360

*) WITH PILOT HOLE D=5

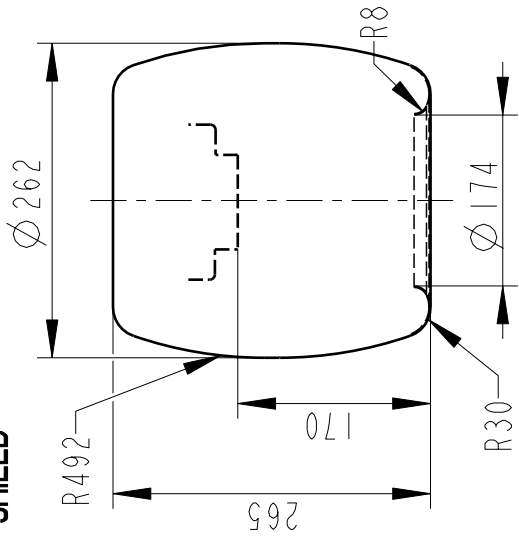
ABB Components		Lutika, Sweden	
No.	kV	A	50-60 Hz
U ₁	kV	SI	kV AC
M	kg	L	mm D
C1		pF	Tanδ
C2		pF	Tanδ



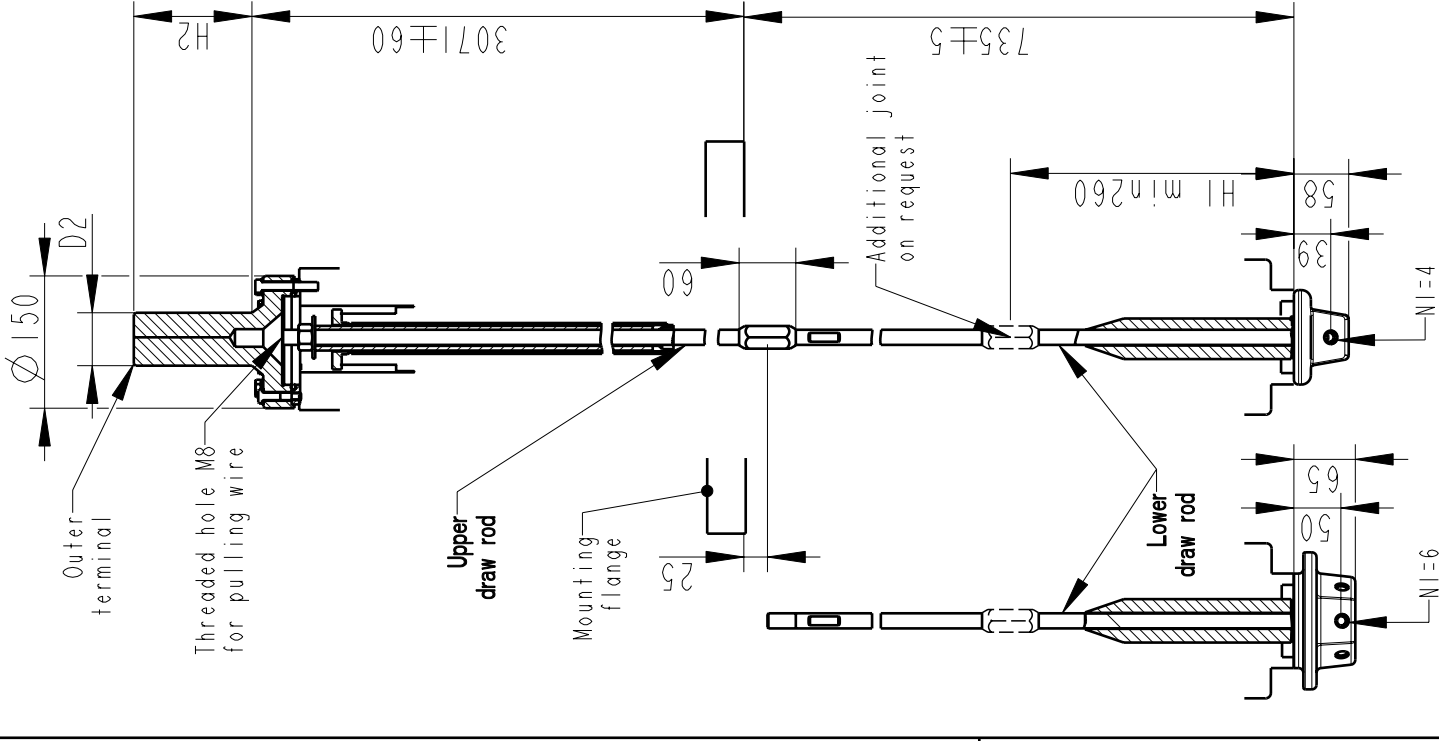
INNER TERMINAL / OUTER TERMINAL



END SHIELD



DRAW ROD SYSTEM / OUTER TERMINAL



NI=Number of holes M12, equipped with thread insert with screw lock, depth 20, for cable lugs.

Based on Reg. No.

Prepared	Responsible department
Lövnord	COM/BK 0022
Approved	Take over department
Johansson	
Design engineering review	Database
Gutman	

Title

GOE-1050-750-2500-0

Language	82
Page	1(1)

ABB ABB Components

Document No. 2751369-92

Rev Ind	Revision	Appd	Date
5			
6			